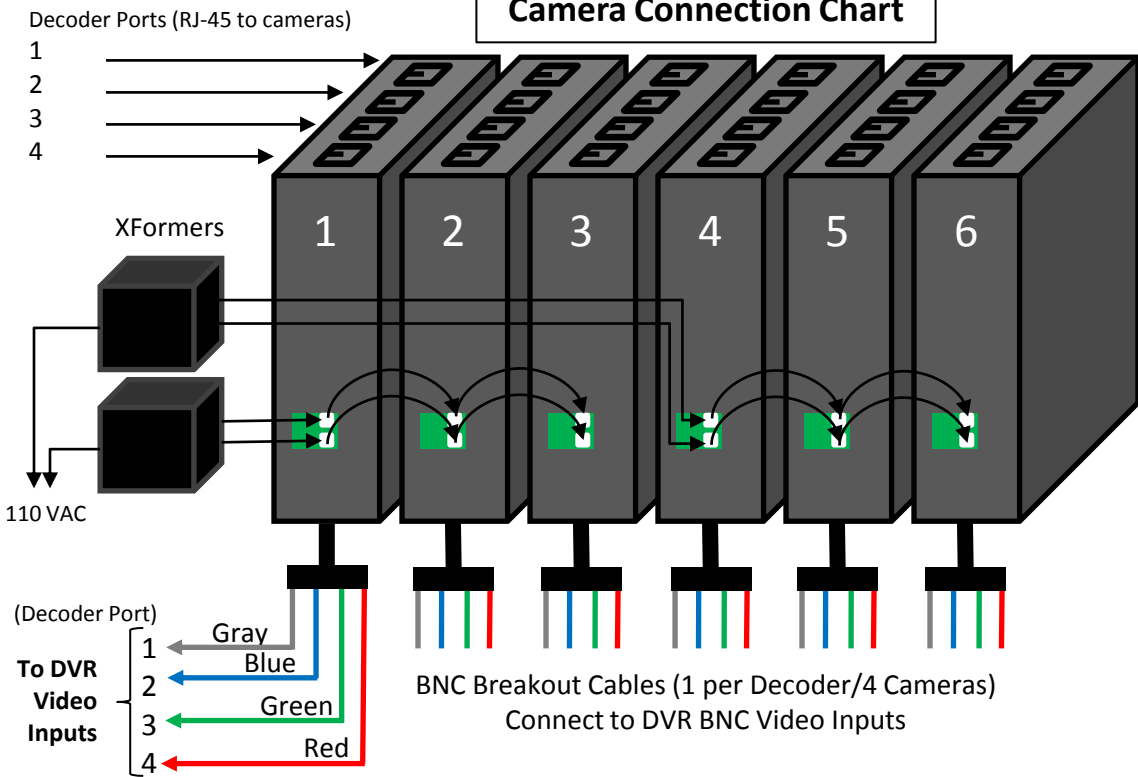


**EX2400IR SMARTCONTROL® CAT5
Power Supply/Decoder
Camera Connection Chart**



<i>Recommended</i> Decoder Port - to - DVR/Camera Connection Chart						
BNC Breakout Cable	Decoder 1	Decoder 2	Decoder 3	Decoder 4	Decoder 5	Decoder 6
Decoder Port 1 Gray	DVR 1 Camera 1	DVR 1 Camera 5	DVR 1 Camera 9	DVR 1 Camera 13	DVR 2 Camera 1	DVR 2 Camera 5
Decoder Port 2 Blue	DVR 1 Camera 2	DVR 1 Camera 6	DVR 1 Camera 10	DVR 1 Camera 14	DVR 2 Camera 2	DVR 2 Camera 6
Decoder Port 3 Green	DVR 1 Camera 3	DVR 1 Camera 7	DVR 1 Camera 11	DVR 1 Camera 15	DVR 2 Camera 3	DVR 2 Camera 7
Decoder Port 4 Red	DVR 1 Camera 4	DVR 1 Camera 8	DVR 1 Camera 12	DVR 1 Camera 16	DVR 2 Camera 4	DVR 2 Camera 8

NOTE: The BNC Breakout Cables can be connected to any BNC video input on any DVR. The configuration in the chart above is **recommended**, to simplify installation and service.

The EX2400IR SMARTCONTROL® CAT5 Power Supply/Decoder supplies **Video, Power and OSD Control** over a single CAT5 cable, up to 1,000 ft. It works solely with SMARTCONTROL® CAT5 cameras.